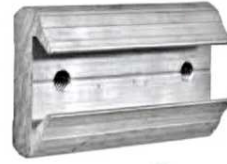
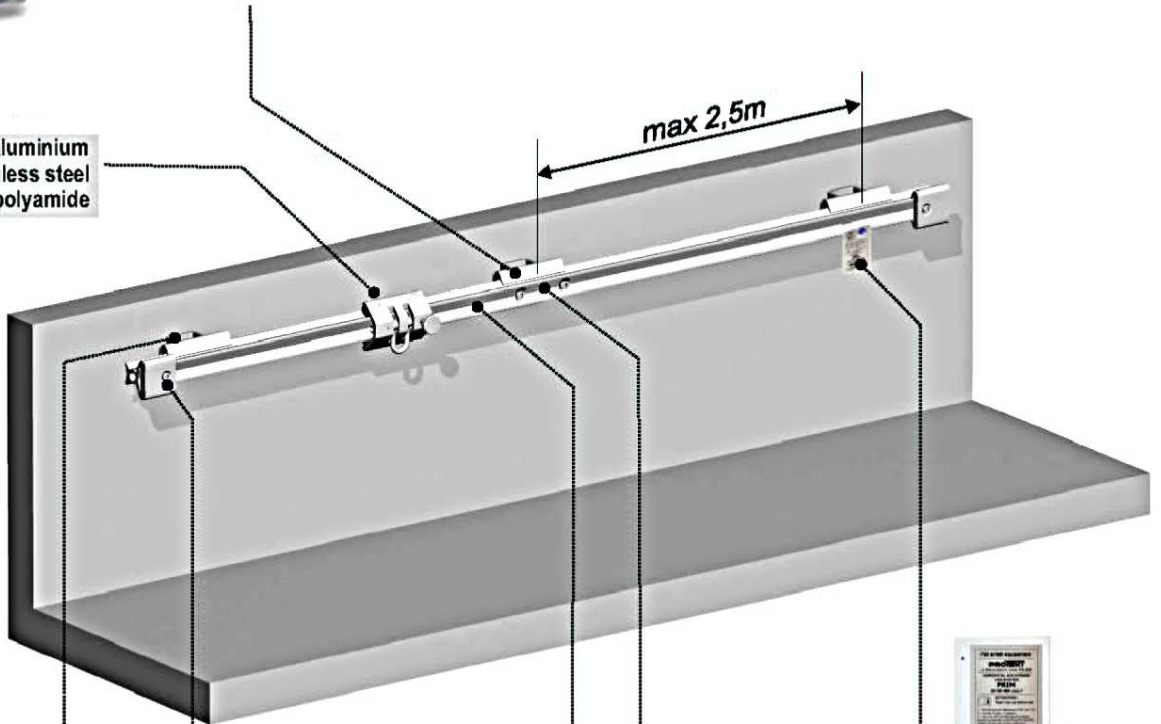


ALUMINIUM



Ref. MR 302	aluminium	Ref. MR 301	aluminium	Ref. MR 710	stainless steel
Rein force plate		Connecting Element		Connecting Element Screw Set	

Ref. MR 101	aluminium
Trolley	stainless steel polyamide



Ref. MR 401	stainless steel
Anchorage Plate	



Ref. MR 510	aluminium
End Stop Set	stainless steel



Ref. HL 300	stainless steel
Pin	



Ref. MR 801 - Data plate PCV
Ref. MR 801 - Data plate stainless steel



Ref. MR 720	stainless steel
Anchorage Plate Screw Set	

		aluminium
MR 201 300	MARAN Rail segment	L = 3,0m
MR 201 200	MARAN Rail segment	L = 2,0m
MR 201 100	MARAN Rail segment	L = 1,0m