



Work in ex zones



EN 795/B:1996

TM9 + CRW 300 + AT 171
TM9 + RUP 502



TM9 tripod

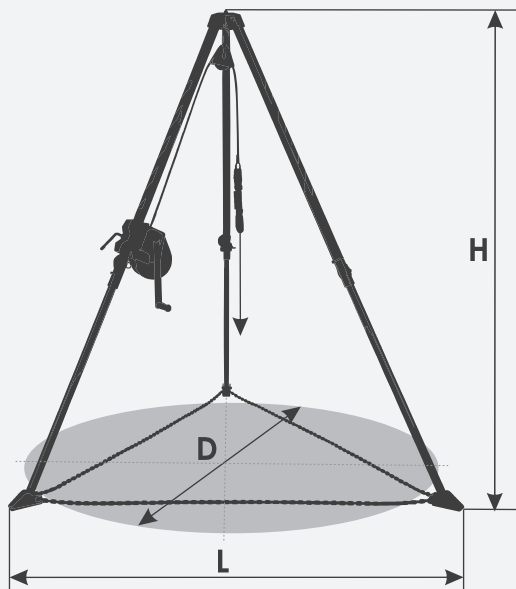
Aluminium personal tripod.



Protection for 1 person.

Description of the device:

Safety tripod designed to protect one user. Steel head is equipped with four anchor points. Telescopic aluminium legs with 7-step height adjustment. Each leg is equipped with a winch mount. Non-slip feet allow for using the unit on slippery surfaces. Legs protected by a belt or steel chain.



Dimensions and specifications:

| | |
|---|----------------|
| Height: | H = 147-229 cm |
| Diameter of the opening below the tripod: | D = 140-213 cm |
| Feet spacing: | L = 119-182 cm |
| Weight: | 16.5 kg |
| Lifting/lowering of: | max 1 person |
| Anchoring points on the head: | 4 |
| Shipping dimensions: | 175x23x23 cm |

Certified with the following winches:



RUP 502
winch mount
on the tripod leg



CRW 300 + AT 171
winch mount
on the tripod leg
using AT 171 mount



CRW 300 + AZ 017
mount to
the head with
AZ 017 snaphook



Work in ex zones



EN 795/B:2012

TM9 - L + CRW 300 + AT 171

TM9 - L + RUP 502

TM9-L tripod

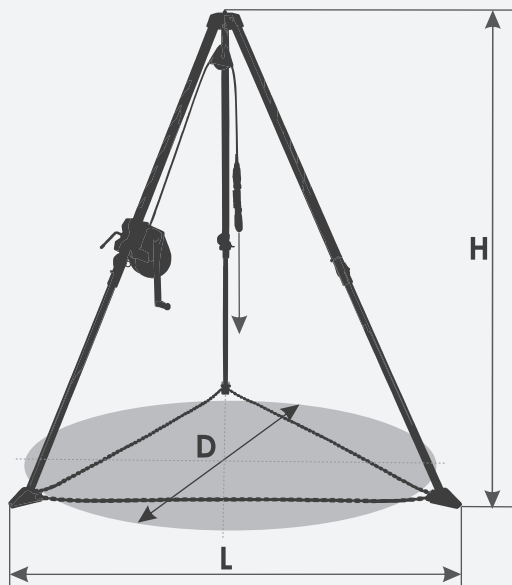
Aluminium personal tripod with leg lock.



Protection for 1 person.

Description of the device:

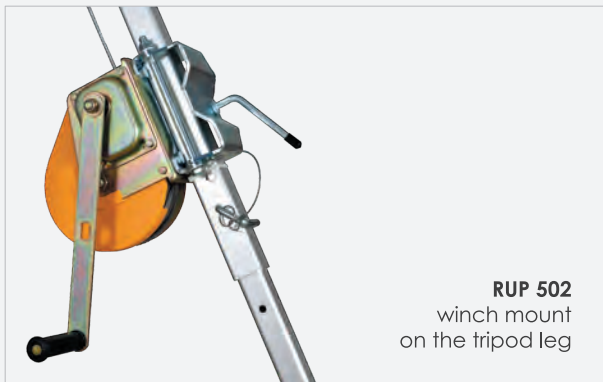
Aluminium safety tripod designed to protect one user. Steel head is equipped with four anchor points. Telescopic aluminium legs with 7-step height adjustment. Each leg is equipped with a winch mount. The locks secure the legs against uncontrolled folding. Non-slip feet allow for using the unit on slippery surfaces. Legs protected by a belt or steel chain.



Dimensions and specifications:

| | |
|---|----------------|
| Height: | H = 147-229 cm |
| Diameter of the opening below the tripod: | D = 140-213 cm |
| Feet spacing: | L = 119-182 cm |
| Weight: | 17 kg |
| Lifting/lowering of: | max 1 person |
| Anchoring points on the head: | 4 |
| Shipping dimensions: | 175x23x23 cm |

Certified with the following winches:



RUP 502
winch mount
on the tripod leg



CRW 300 + AT 171
winch mount
on the tripod leg
using AT 171 mount



CRW 300 + AZ 017
mount to
the head
with AZ 017 snaphook



Work in ex zones



EN 795/B:2012

TM9 - W + CRW 300 + AT 171
TM9 - W + RUP 502



TM9-W tripod

Aluminium personal tripod with a built-in pulley.

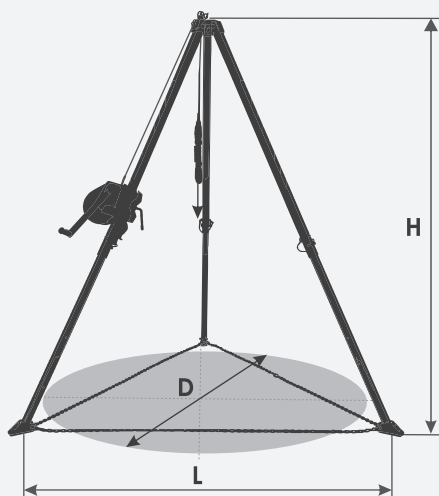


Protection for one person.

Description of the device:

Aluminium safety tripod designed to protect one user. The steel head is equipped with a steel pulley to guide the rope on the rescue winch, secured with a safety pin. The head has three anchor points. Telescopic aluminium legs with 7-step height adjustment. Each leg is equipped with a winch mount. The locks secure the legs against uncontrolled folding. Non-slip feet allow for using the unit on slippery surfaces. Legs protected by a belt or steel chain.

It does not require the use of blocks when using a winch.



Dimensions and specifications:

| | |
|---|----------------|
| Height: | H = 147-229 cm |
| Diameter of the opening below the tripod: | D = 140-215 cm |
| Feet spacing: | L = 123-186 cm |
| Weight: | 17 kg |

| | |
|-------------------------------|--------------|
| Lifting/lowering of: | max 1 person |
| Anchoring points on the head: | 3 |

| | |
|----------------------|--------------|
| Shipping dimensions: | 175x25x25 cm |
|----------------------|--------------|

Certified with the following winches:



RUP 502
winch mount
on the tripod leg



CRW 300 + AT 171
winch mount
on the tripod leg
using AT 171 mount



Work in ex zones

TM 9 - T + RUP 502 - T



TM9-T tripod

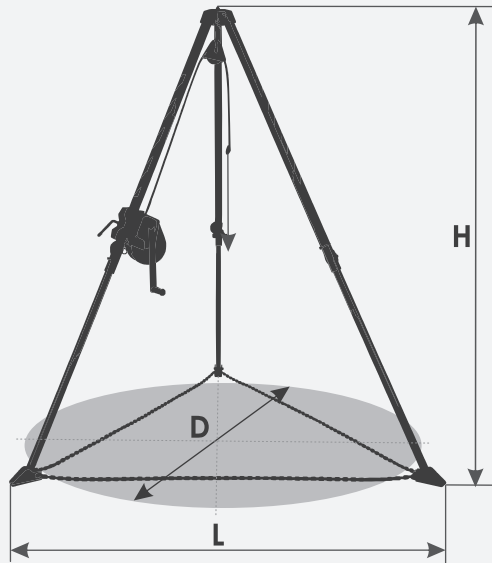
Aluminium material tripod.



Safe working load 500 kg.

Description of the device:

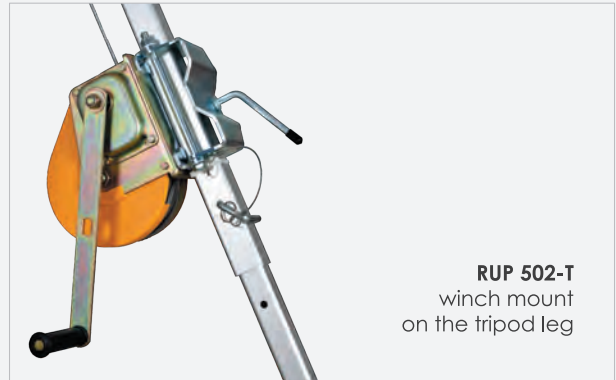
Aluminium material tripod designed for lifting loads of up to 500 kg. Steel head is equipped with four anchor points. Telescopic aluminium legs with 7-step height adjustment. Each leg is equipped with a winch mount. Non-slip feet allow for using the unit on slippery surfaces. Legs protected by a belt or steel chain.



Dimensions and specifications:

| | |
|---|----------------|
| Height: | H = 147-229 cm |
| Diameter of the opening below the tripod: | D = 140-213 cm |
| Feet spacing: | L = 119-182 cm |
| Weight: | 16.5 kg |
| Safe working load: | 500 kg |
| Anchoring points on the head: | 4 |
| Shipping dimensions: | 175x23x23 cm |

Used with the following winches:



RUP 502-T
winch mount
on the tripod leg



NOTE!
On demand

**Examples of
chain winches**
the tripod works with
many kinds of chain winches
mounted on the central handle.