



Work in ex zones



EN 795/B:2012

TM7 + RUP 502 - B  
TM7 + RUP 503 - B



# TM7 tripod

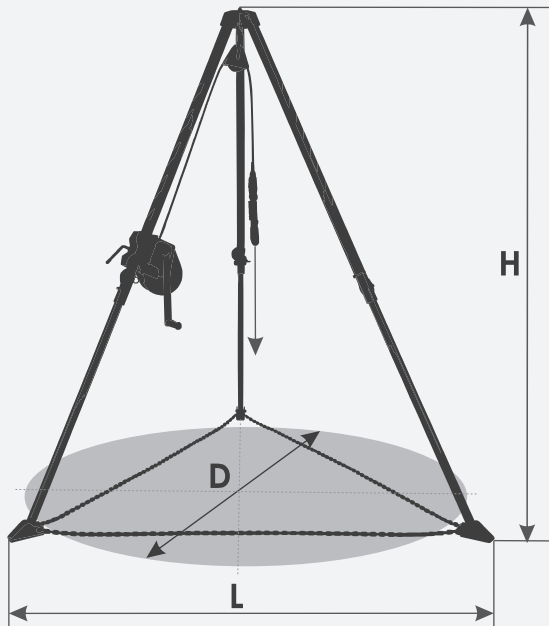
Steel personal tripod.



Protection for 1 person.

## Description of the device:

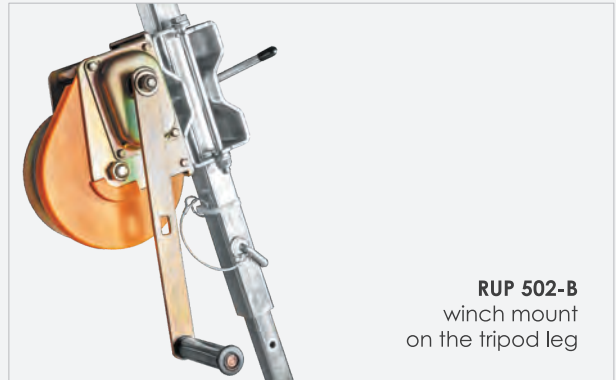
Safety tripod made entirely of steel, designed to protect 1 user. Steel head is equipped with 4 anchor points. It has telescopic steel legs with a 7-step adjustment. Each leg is equipped with a winch mount. Non-slip feet allow for using the unit on slippery surfaces. Legs secured with tape or steel chain.



## Dimensions and specifications:

Height:	H = 147-229 cm
Diameter of the opening below the tripod:	D = 140-213 cm
Feet spacing:	L = 119-182 cm
Weight:	35 kg
Lifting/lowering of:	max 1 person
Anchoring points on the head:	4
Shipping dimensions:	175x23x23 cm

## Certified with the following winches:



**RUP 502-B**  
winch mount  
on the tripod leg



**RUP 503-B**  
winch mount  
on the tripod leg



**CRW 300 + AZ 017**  
mount to the head  
with AZ 017 snaphook



Work in ex zones

TM7-T + RUP 502 - BT  
TM7-T + RUP 503 - BT



# TM7-T tripod

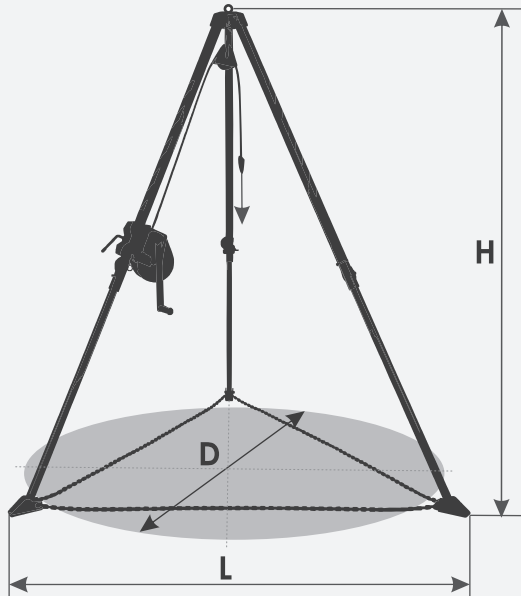
Steel material tripod.



Safe working load of 1000 kg.

## Description of the device:

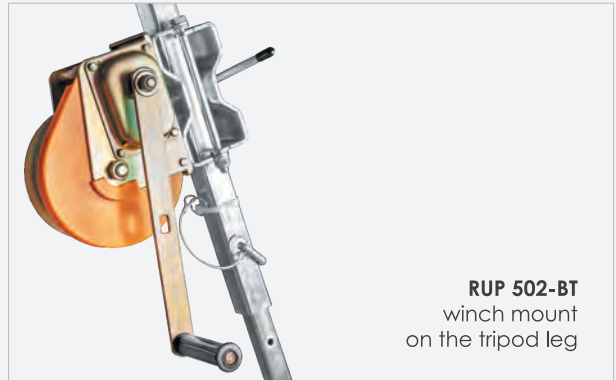
Material tripod, made entirely of steel, designed to hoist loads of up to 1000 kg. Steel head is equipped with four anchor points and a top handle for lifting the device. It has telescopic steel legs with a 7-step adjustment. Each leg is equipped with a winch mount. Non-slip feet allow for using the unit on slippery surfaces. Legs protected by a belt or steel chain.



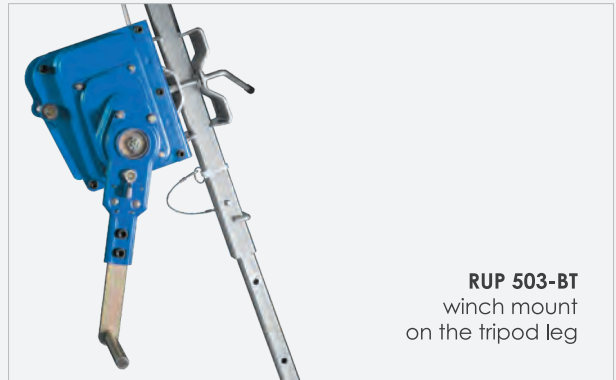
## Dimensions and specifications:

Height:	H = 147-229 cm
Diameter of the opening below the tripod:	D = 140-213 cm
Feet spacing:	L = 119-182 cm
Weight:	35 kg
Safe working load:	1000 kg
Anchoring points on the head:	4
Shipping dimensions:	175x23x23 cm

## Used with the following winches:



**RUP 502-BT**  
winch mount  
on the tripod leg



**RUP 503-BT**  
winch mount  
on the tripod leg



**NOTE!**  
On demand

**Examples of chain winches**  
the tripod works with  
many kinds of chain winches  
mounted on the central handle.