



Work in ex zones



EN 795/B:2012  
TS 16415:2012

TM6 + RUP 502 - A  
TM6 + RUP 503  
TM6 + CRW 300 + AT 172



# TM6 tripod

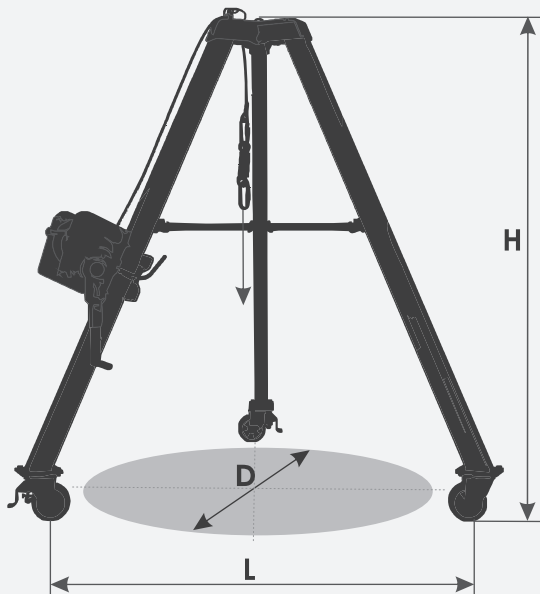
Aluminium, mobile personal tripod.



Protection for 2 people.

## Description of the device:

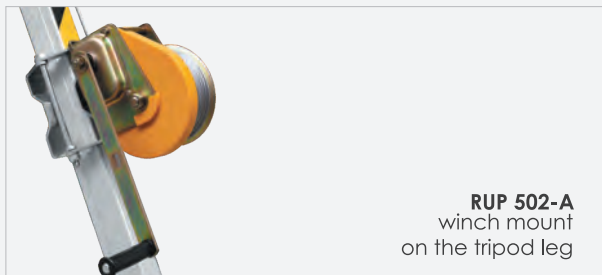
Mobile tripod designed to simultaneously protect up to 2 users (personal variant) or 1000 kg of load (material variant). The steel head is equipped with two steel pulleys to guide the rope on the rescue winch, secured with safety pins. Aluminium legs with rubber tread wheels. The wheels are equipped with brakes, immobilising the device in the workplace.



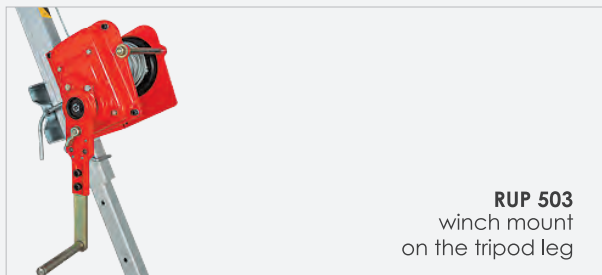
## Dimensions and specifications:

|   |              |
|---|--------------|
| Height:                                   | H = 160 cm   |
| Diameter of the opening below the tripod: | D = 157 cm   |
| Feet spacing:                             | L = 116 cm   |
| Weight:                                   | 34 kg        |
| Lifting/lowering of:                      | max 2 people |
| Safe working load:                        | 1000 kg      |
| Anchoring points on the head:             | 3            |
| Shipping dimensions:                      | 200x47x47 cm |

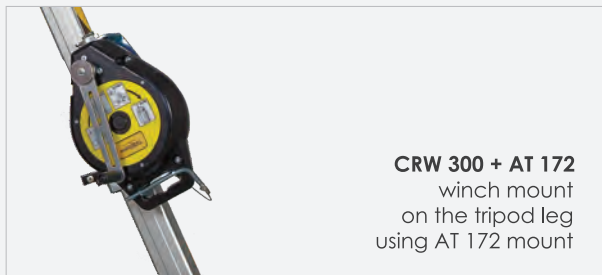
## Certified with the following winches:



**RUP 502-A**  
winch mount  
on the tripod leg



**RUP 503**  
winch mount  
on the tripod leg



**CRW 300 + AT 172**  
winch mount  
on the tripod leg  
using AT 172 mount



**CRW 300 + AZ 017**  
mount to the head  
with AZ 017 snaphook