



Work in ex zones



EN 795/B:2012
TS 16415:2012

TM13 + RUP 502 - A
TM13 + RUP 503 - T
TM13 + CRW 300 + AT 172

TM13 tripod

Aluminium personal tripod.

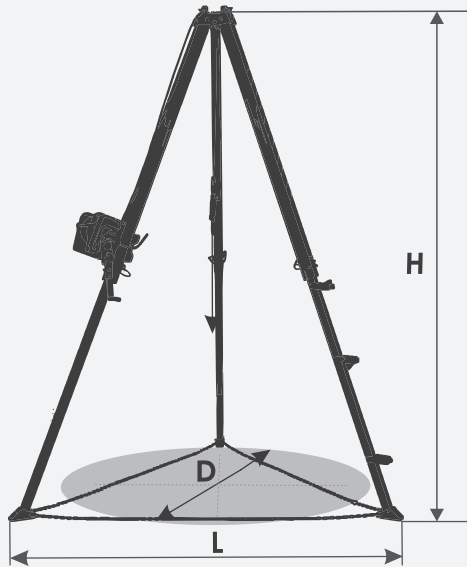


Protection for 2 people.

Description of the device:

Aluminium tripod designed to simultaneously protect up to 2 users. The steel head is equipped with three side anchor points and two steel pulleys to guide the rope on the rescue winch, secured with safety pins. Telescopic legs with 9-step height adjustment are equipped with two anchor points to mount the winch. Legs are secured with a steel chain.

It does not require the use of blocks when using a winch.



Dimensions and specifications:

Height:	H = 179-289 cm
Diameter of the opening below the tripod:	D = 173-271 cm
Feet spacing:	L = 147-232 cm
Weight:	37 kg
Lifting/lowering of:	max 2 people
Anchoring points on the head:	3
Shipping dimensions:	190x30x30 cm

Certified with the following winches:



RUP 502-A
winch mount
on the tripod leg



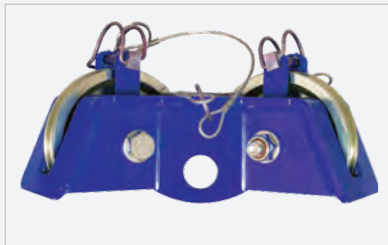
RUP 503
winch mount
on the tripod leg



CRW 300 + AT 172
winch mount
on the tripod leg
using AT 172 mount



CRW 300 + AZ 017
mount to
the head with
AZ 017 snaphook



Work in ex zones

TM13 - T + RUP 502 - AT
TM13 - T + RUP 503 - T



TM13-T tripod

Aluminium material tripod.

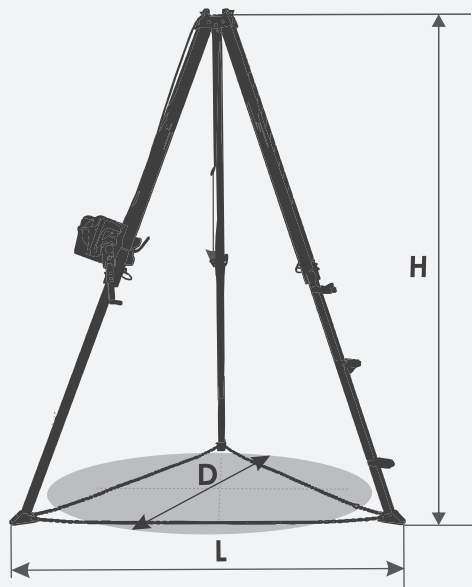


Safe working load 1000 kg.

Description of the device:

Aluminium material tripod designed for lifting loads of up to 1000 kg. The steel head is equipped with three side anchor points and two steel pulleys to guide the rope on the rescue winch, secured with safety pins. Telescopic aluminium legs with 9-step height adjustment. Two legs are equipped with winch mounts. Legs protected by a belt or steel chain.

It does not require the use of blocks when using a winch.



Dimensions and specifications:

Height:	H = 179-289 cm
Diameter of the opening below the tripod:	D = 173-271 cm
Feet spacing:	L = 147-232 cm
Weight:	37 kg
Safe working load:	1000 kg
Anchoring points on the head:	3
Shipping dimensions:	190x30x30 cm

Used with the following winches:



RUP 502-AT
winch mount
on the tripod leg



RUP 503-T
winch mount
on the tripod leg



NOTE!
On demand

Examples of chain winches
the tripod works with many
kinds of chain winches mounted
on the central handle.